

# PM-Plus (pH, mV, Cl, CD)

## *metering dosing pumps with measure instrument built-in*

**Metering dosing pumps PM – Plus series  
With measure instrument built-in**



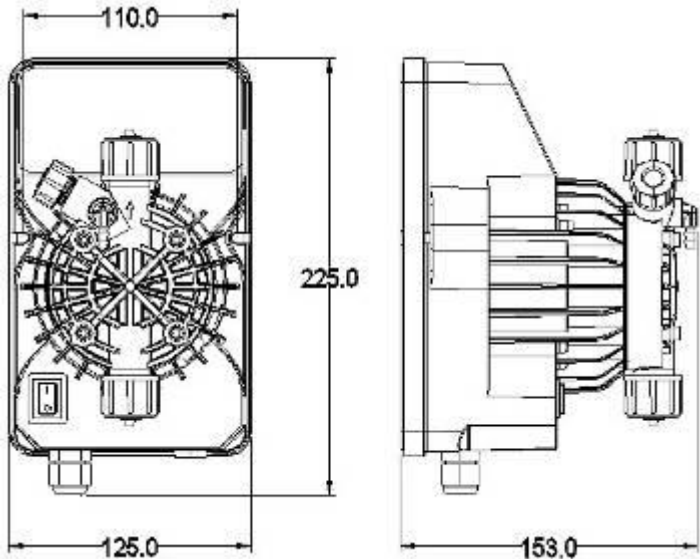
- Backlight graphic display
- Very easy to use: programming way like "mobile phone"
- Proportional dosing to the set-point value
- Constant flow rate mode
- Level probe input
- Plastic box IP65 protection degree
- 4-20 mA output signal
- Version pH/Redox(mV) selectable from the user
- Start/Stop key
- Measure ranges:  
*pH: 0 - 14,00 pH; BNC input from pH probe*  
*Redox(mV): 0 - 1999 mV; BNC input from Redox(mV) probe*  
*Free Chlorine: 0- 10,00 ppm; Input probe SCLO series*  
*Conductivity: 0 – 10.00 mS via probe SCD K1; other ranges available  
1000 $\mu$ S, 100  $\mu$ S, 10  $\mu$ S, via probe SCD K5*

# PM-Plus (pH, mV, Cl, CD)

## *metering dosing pumps with measure instrument built-in*

| Model        | Flow rate max (l/h) | Pressure max (bar) | Frequency max (imp/min) | ml/pulse | Max suction high (m) | Standard power supply (*) | Weight (kg) |
|--------------|---------------------|--------------------|-------------------------|----------|----------------------|---------------------------|-------------|
| PMplus 01-15 | 1                   | 15                 | 120                     | 0,14     | 2.0                  | 12VDC – 50/60Hz           | 2,3         |
| PMplus 02-10 | 2                   | 10                 | 120                     | 0,33     | 2.0                  | 12VDC – 50/60Hz           | 2,3         |
| PMplus 05-07 | 5                   | 7                  | 120                     | 0,83     | 2.0                  | 12VDC – 50/60Hz           | 2,3         |
| PMplus 10-10 | 10                  | 10                 | 120                     | 1,38     | 2.0                  | 12VDC – 50/60Hz           | 2,3         |
| PMplus 20-03 | 20                  | 3                  | 120                     | 2,60     | 2.0                  | 12VDC – 50/60Hz           | 2,3         |
| PMplus 50-01 | 50                  | 1                  | 120                     | 6,90     | 2.0                  | 12VDC – 50/60Hz           | 2,3         |

(\*) Other power supply contact the headquarters

| Dimensions   | Materials  |
|--|--|
|  | <p><b>Pump head:</b> polypropylene<br/>(on request: PVC, SS316, PTFE, PVDF)</p> <p><b>Diaphragm:</b> PTFE</p> <p><b>Connections:</b> polypropylene</p> <p><b>Foot filter:</b> polypropylene</p> <p><b>Injection valve:</b> polypropylene</p> <p><b>Suction tube:</b> PVC crystal</p> <p><b>Delivery tube:</b> polyethylene</p> <p><b>Standard valves:</b> ceramic</p> <p><b>On request valves:</b> Lip in FPM (on request: EPDM)</p> <p><b>Seats:</b> FPM (on request: EPDM)</p> |

